

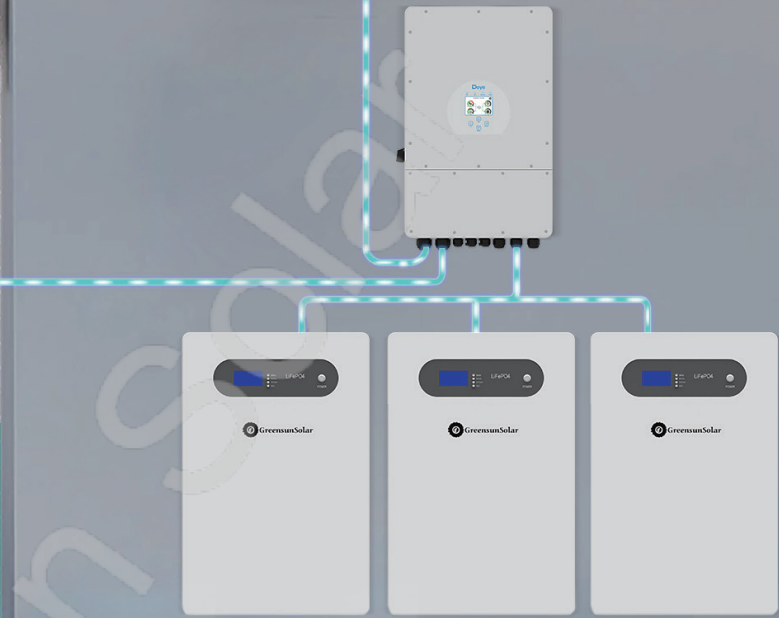


GreensunSolar



LiFePO4 Battery Wall Mounted

GLW-200 10.24Kwh



Features

Safety & Reliable

- Very Safe and High Quality with LiFePO4 technology & Smart BMS

Compact Size & Easy Installation

- Elegant Design
Floor-mounted for quick installation

High compatibility BMS

- Seamless communication with most brands inverters

≥6000Cycles, LongLiFe

- Long cycle life with tier 1 brand A grade cells and superior performance

Expand capacity flexibly

- Parallel to expand capacity easily up to 153.6kwh

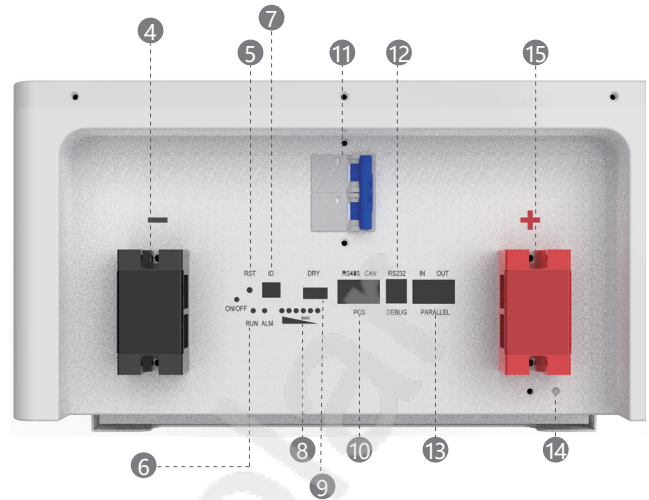
Wide Applications

- Self-Use, Peak Shaving, UPS, Backup, ESS, HESS, BESS, Bank, Hospital, School, Base Station

Technical Data




Model		GLW-200
Main Parameter	Battery Chemistry	LiFePO4
	Built-In Circuit Breaker	125A 2P
	Nominal Capacity	200Ah
	Nominal Voltage	51.2V
	Operating Voltage	44.8~57.6V
	Nominal Energy	10.240Kwh
	Scalability	Max. 15 pcs pack (Max. 153.60kWh) in parallel
Charge/Discharge Current	Max. Continuous	100A
	Peak	250A(500ms)
Other Paramete	Recommend Depth of Discharge	90% DoD
	Dimension	662*453*262.5mm
	Battery Pack N.W.	95kg
	Master LED Indicator	6LED (SOC : 17% ~ SOC100%) , 3LED (ON/OFF, RUN, Alarm)
	Bluetooth	Include
	Communication Port	CAN/RS232/RS485
	IP Rating of Enclosure	IP20
	Operating Temperature	Charge : 0°C~55°C, Discharge : -20°C ~ 60°C
	Storage Temperature	-10 ~ 40°C
	Relative Humidity	95%
	Altitude	≤2000 m
	Cycle Life	≥6000 90%DOD
	Warranty Period	10Years
Installation	Wall mounted(Floor-Mounted optional)	
Certification	CE,UN38.3,MSDS	

Battery Overview



1	Display Screen	2	Screen Button	3	Power Switch
4	Negative Connector	5	Reset Button	6	ON/RUN/ALARM
7	DIP	8	SOC LED	9	DRY CONTACT
10	CAN/RS485 Port	11	Breaker	12	RS232 Port
13	IN/OUT Port For Parallel	14	Grounding	15	Positive Connector

Battery Pack Default Accessories

	<p>DC Power Cable: Pair of 35mm² DC power cable(end is M10 copper terminal). The default length is 1500mm</p>
	<p>Ground Cable: 6mm² Yellow-green ground line, The default length is 1500mm</p>
	<p>RJ45 communication cable: One RJ45 communication cable connect with hybrid inverter. The default length is 1500mm</p>

Easy Expansion

