

Rack Type LV Battery System

GLR-314



Features


Safety & Reliable

-  Very Safe and High Quality with LiFePO4 technology & Smart BMS


Compact Size & Easy Installation

-  Elegant Design
Rack-mounted for quick installation


High compatibility BMS

-  Seamless communication with most brands inverters


≥6000Cycles, LongLiFe

-  Long cycle life with tier 1 brand with A grade cells and superior performance

Expand capacity flexibly

-  Parallel to expand capacity easily up to 241kwh

Wide Applications

-  Self-Use, Peak Shaving, UPS, Backup, ESS, HESS, BESS, Bank, Hospital, School, Base Station

Technical Data



Battery Module Model		GRL-314			
Main Parameter					
Cell Chemistry		LiFePO4			
Module Energy (kWh)		16.076			
Module Nominal Voltage (V)		51.2			
Module Capacity (Ah)		314			
ITEM		GRL-314-E16	GRL-314-E32	GRL-314-E48	GRL-314-E64
Battery Module Qty In Parallel (Optional)		1	2	3	4
System Nominal Voltage (V)		51.2			
System Capacity (Ah)		314	628	942	1256
System Energy (kWh)		16.07	32.15	48.22	64.30
Charge/Discharge Current(A)	Nominal	157A	314A	471A	628A
	Peak Discharge	157A	314A	471A	628A
Other Parameter					
Recommend Depth of Discharge		90% DoD			
Dimension (W*D*H)		478*838.5*278	478*838.5*556	478*838.5*834	478*838.5*1112
Battery Pack N.W.		125.8kg	251.6kg	377.4kg	503.2kg
Master LED Indicator		6LED (SOC : 17% ~ 100%) , 3LED (ON/OFF, RUN, Alarm)			
Bluetooth		Include			
Communication Port		CAN/RS232/RS485			
IP Rating of Enclosure		IP20			
Operating Temperature		Charge : 0°C~55°C, Discharge : -20°C ~ 60°C			
Storage Temperature		-10 ~ 40°C			
Relative Humidity		95%			
Altitude		≤2000 m			
Cycle Life		≥6000 90%DOD			
Warranty Period		10Years			
Installation		Rack Mounted			
Certification		CE/UN38.3/MSDS			

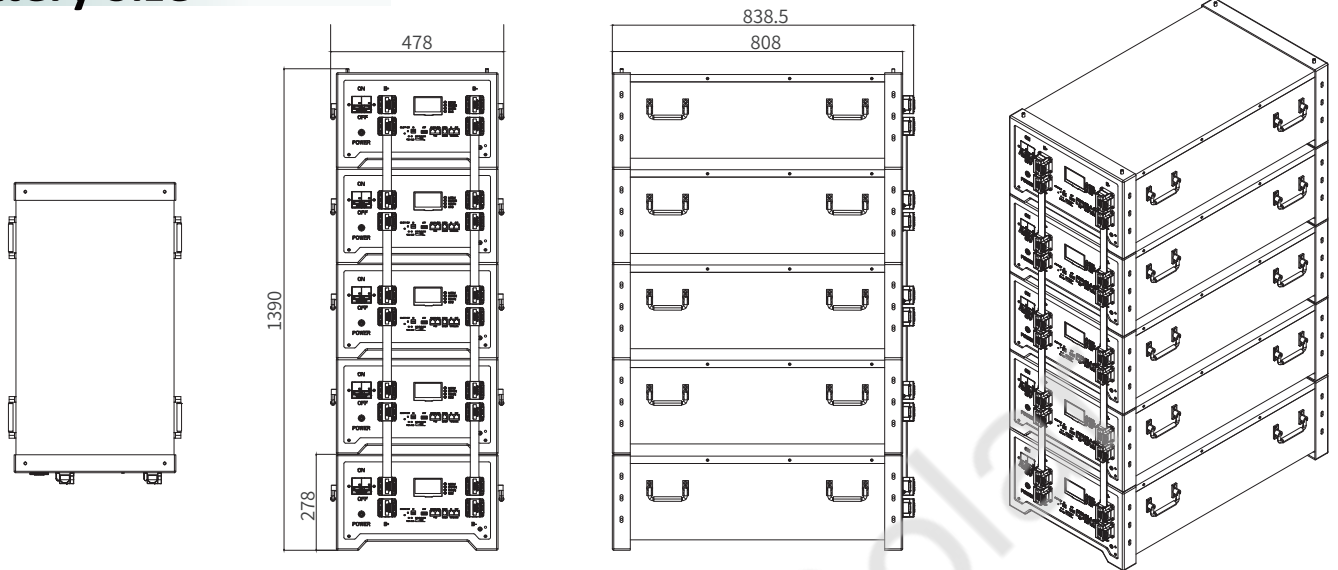
Technical Data



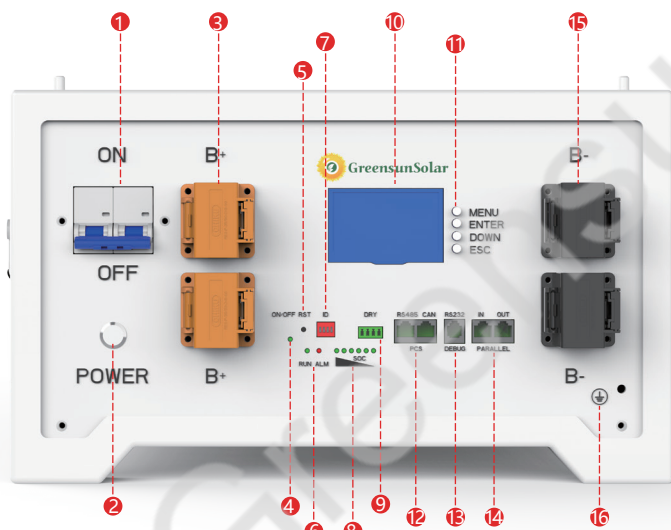
Battery Module Model		GLR-314			
Main Parameter					
Cell Chemistry		LiFePO4			
Module Energy (kWh)		16.076			
Module Nominal Voltage (V)		51.2			
Module Capacity (Ah)		314			
ITEM		GLR-314-E80	GLR-314-E94	GLR-314-E112	GLR-314-E128
Battery Module Qty In Series (Optional)		5	6	7	8
System Nominal Voltage (V)		51.2			
System Capacity (Ah)		1570	1884	2198	2512
System Energy (kWh)		80.38	94.46	112.53	128.61
Charge/Discharge Current(A)	Nominal	785A	942A	1099A	1256A
	Peak Discharge	785A	942A	1099A	1256A

Other Parameter					
Recommend Depth of Discharge		90% DoD			
Dimension (W*D*H)		478*838.5*1390	478*838.5*1668	1000*838.5*1112	1000*838.5*1112
Battery Pack N.W.		629kg	754.8kg	880.6kg	1006.4kg
Master LED Indicator		6LED (SOC : 17% ~ 100%) , 3LED (ON/OFF, RUN, Alarm)			
Bluetooth		Include			
Communication Port		CAN/RS232/RS485			
IP Rating of Enclosure		IP20			
Operating Temperature		Charge : 0°C~55°C, Discharge : -20°C ~ 60°C			
Storage Temperature		-10 ~ 40°C			
Relative Humidity		95%			
Altitude		≤2000 m			
Cycle Life		≥6000 90%DOD			
Warranty Period		10Years			
Installation		Rack Mounted			
Certification		CE/UN38.3/MSDS			

Battery Size







Battery Overview



1	Breaker	2	Power Switch
3	Positive Connector	4	ON/OFF
5	Reset Button	6	RUN/ALM
7	DIP	8	SOC LED
9	DRY CONTACT	10	Display Screen
11	Screen Button	12	CAN/RS485 Port
13	RS232 Port	14	IN/OUT Port For Paralle
15	Negative Connector	16	Grounding

Battery Pack Default Accessories

	DC Power Cable: Pair of 35mm ² DC power cable(end is M10 copper terminal). The default length is 1500mm
	Ground Gable: 6mm ² Yellow-green ground line, The default length is 1500mm
	RJ45 communication cable: One RJ45 communication cable connect with hybrid inverter. The default length is 1500mm One RJ45 parallel cable connect with battery. The default length is 200mm
	Simple stacking bracket: Used for battery stacking and securing

Easy Expansion

