

Rack Type LV Battery System

GLR-200



Features


Safety & Reliable

-  Very Safe and High Quality with LiFePO4 technology & Smart BMS


Compact Size & Easy Installation

-  Elegant Design
Rack-mounted for quick installation


High compatibility BMS

-  Seamless communication with most brands inverters


≥6000Cycles, LongLiFe

-  Long cycle life with tier 1 brand with A grade cells and superior performance

Expand capacity flexibly

-  Parallel to expand capacity easily up to 153.6kwh

Wide Applications

-  Self-Use, Peak Shaving, UPS, Backup, ESS, HESS, BESS, Bank, Hospital, School, Base Station

Technical Data



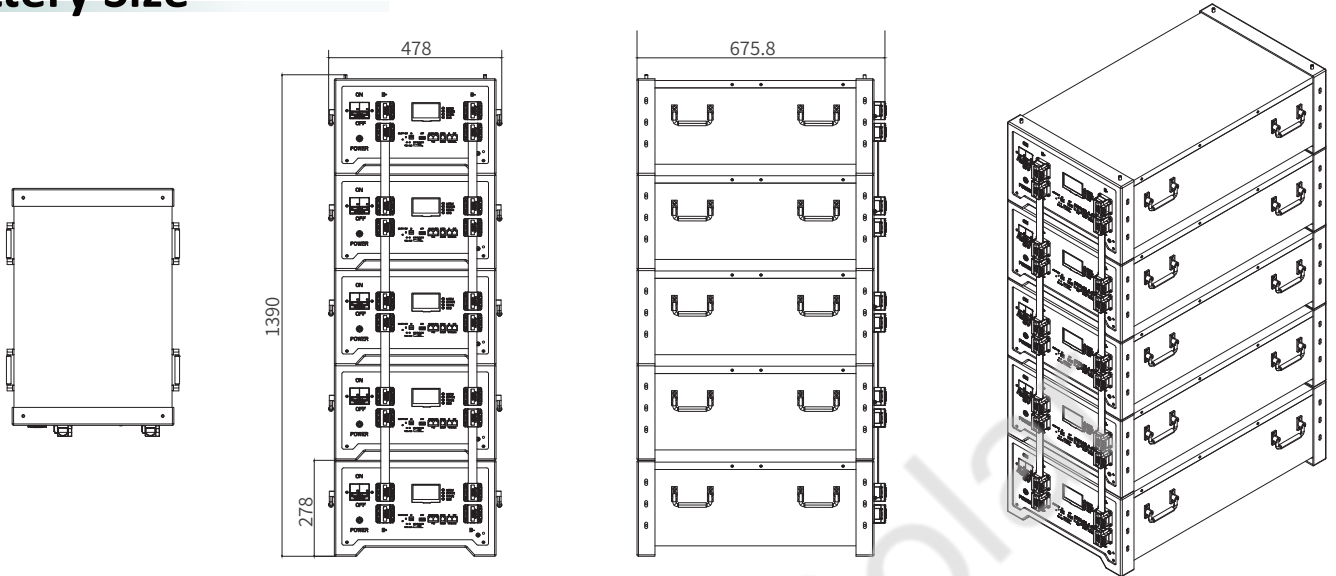
Battery Module Model		GLR-200					
Main Parameter							
Cell Chemistry		LiFePO4					
Module Energy (kWh)		10.24					
Module Nominal Voltage (V)		51.2					
Module Capacity (Ah)		200					
ITEM		GLR-200-E10	GLR-200-E20	GLR-200-E30	GLR-200-E40	GLR-200-E50	GLR-200-E60
Battery Module Qty In Parallel (Optional)		1	2	3	4	5	6
System Nominal Voltage (V)		51.2					
System Capacity (Ah)		200	400	600	800	1000	1200
System Energy (kWh)		10.24	20.48	30.72	40.96	51.20	61.44
Charge/Discharge	Nominal	100A	200A	300A	400A	500A	600A
Current(A)	Peak Discharge	100A	200A	300A	4000A	500A	600A
Other Parameter							
Recommend Depth of Discharge		90% DoD					
Dimension (W*D*H,mm)		478*675.8*278	478*675.8*556	478*675.8*834	478*675.8*1112	478*675.8*1390	478*675.8*1668
Battery Pack N.W.		95.8kg	191.6kg	287.4kg	383.2kg	479.0kg	574.8kg
Master LED Indicator		6LED (SOC : 17% ~ 100%) , 3LED (ON/OFF, RUN, Alarm)					
Bluetooth		Include					
Communication Port		CAN/RS232/RS485					
IP Rating of Enclosure		IP20					
Operating Temperature		Charge : 0°C~55°C, Discharge : -20°C ~ 60°C					
Storage Temperature		-10 ~ 40°C					
Relative Humidity		95%					
Altitude		≤2000 m					
Cycle Life		≥6000 90%DOD					
Warranty Period		10Years					
Installation		Rack Mounted					
Certification		CE/UN38.3/MSDS					

Technical Data

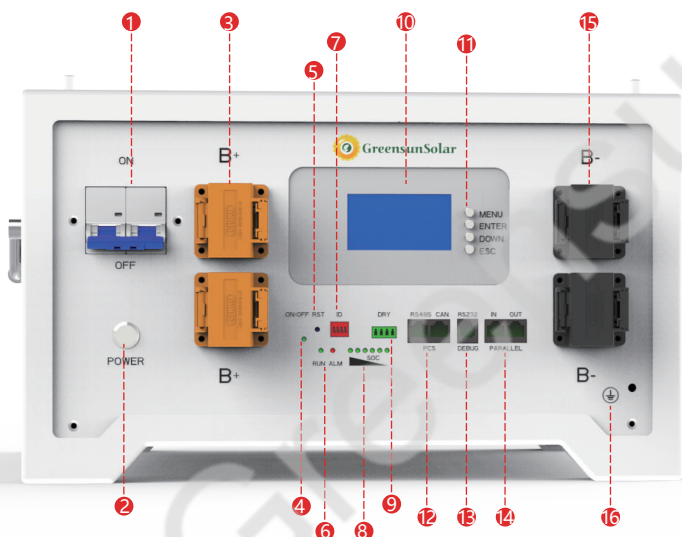


Battery Module Model		GLR-200					
Main Parameter							
Cell Chemistry		LiFePO4					
Module Energy (kWh)		10.24					
Module Nominal Voltage (V)		51.2					
Module Capacity (Ah)		200					
ITEM		GLR-200-E70	GLR-200-E80	GLR-200-E90	GLR-200-E100	GLR-200-E110	GLR-200-E120
Battery Module Qty In Series (Optional)		7	8	9	10	11	12
System Nominal Voltage (V)		51.2					
System Capacity (Ah)		1400	1600	1800	2000	2200	2400
System Energy (kWh)		71.68	81.92	92.16	102.40	112.64	122.88
Charge/Discharge Current(A)	Nominal	700A	800A	900A	1000A	1100A	1200A
	Peak Discharge	700A	800A	900A	1000A	1100A	1200A
Other Parameter							
Recommend Depth of Discharge		90% DoD					
Dimension (W*D*H,mm)		1000*675.8*1112	1000*675.8*1112	1000*675.8*1390	1000*675.8*1390	1000*675.8*1668	1000*675.8*1668
Battery Pack N.W.		670.6kg	766.4kg	862.2kg	958kg	1053.8kg	1149.6kg
Master LED Indicator		6LED (SOC : 17% ~ 100%) , 3LED (ON/OFF, RUN, Alarm)					
Bluetooth		Include					
Communication Port		CAN/RS232/RS485					
IP Rating of Enclosure		IP20					
Operating Temperature		Charge : 0°C~55°C, Discharge : -20°C ~ 60°C					
Storage Temperature		-10 ~ 40°C					
Relative Humidity		95%					
Altitude		≤2000 m					
Cycle Life		≥6000 90%DOD					
Warranty Period		10Years					
Installation		Rack Mounted					
Certification		CE/UN38.3/MSDS					

Battery Size







Battery Overview



1	Breaker	2	Power Switch
3	Positive Connector	4	ON/OFF
5	Reset Button	6	RUN/ALM
7	DIP	8	SOC LED
9	DRY CONTACT	10	Display Screen
11	Screen Button	12	CAN/RS485 Port
13	RS232 Port	14	IN/OUT Port For Paralle
15	Negative Connector	16	Grounding

Battery Pack Default Accessories

	DC Power Cable: Pair of 35mm ² DC power cable(end is M10 copper terminal). The default length is 1500mm
	Ground Gable: 6mm ² Yellow-green ground line, The default length is 1500mm
	RJ45 communication cable: One RJ45 communication cable connect with hybrid inverter. The default length is 1500mm One RJ45 parallel cable connect with battery. The default length is 200mm
	Simple stacking bracket: Used for battery stacking and securing

Easy Expansion

