



GreensunSolar



LiFePO4

# Mobile Batteries

51.2V 280Ah/314Ah



## Features

### Safety & Reliable

- Very Safe and High Quality with LiFePO4 technology & Smart BMS

### Compact Size & Easy Installation

- Elegant Design  
Floor-mounted for quick installation

### High compatibility BMS

- Seamless communication with most brands inverters

### ≥6000Cycles, LongLiFe

- Long cycle life with tier 1 brand A grade cells and superior performance

### Expand capacity flexibly

- Parallel to expand capacity easily up to 241kwh

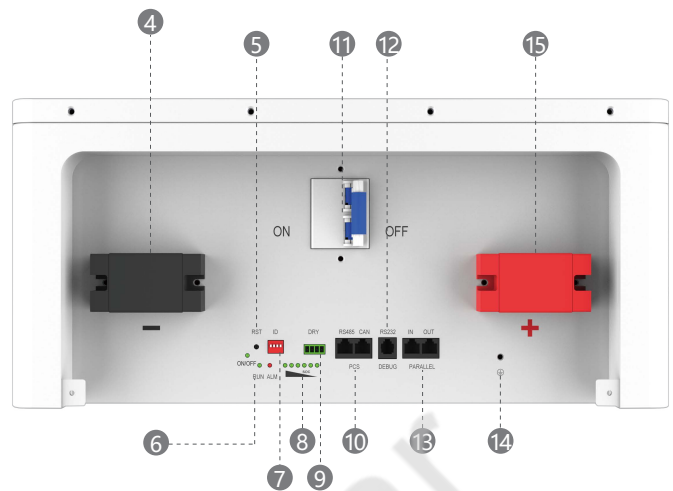
### Wide Applications

- Self-Use, Peak Shaving, UPS, Backup, ESS, HESS, BESS, Bank, Hospital, School, Base Station

## Technical Data




Model		GLM-280	GLM-314	
<b>Main Parameter</b>	Battery Chemistry	LiFePO4		
	Built-In Circuit Breaker	125A 2P		
	Nominal Capacity	280Ah	314Ah	
	Nominal Voltage	51.2V		
	Operating Voltage	44.8~57.6V		
	Nominal Energy	14.336Kwh	16.076Kwh	
	Scalability	Max. 15 pcs pack (Max. 215.040kWh) in parallel	Max. 15 pcs pack (Max. 241.152kWh) in parallel	
	Charge/Discharge Current	Max. Continuous	140A	160A
		Peak	250A(500ms)	250A(500ms)
	<b>Other Parameter</b>	Recommend Depth of Discharge	90% DoD	
Dimension		500*233*880mm	500*233*880mm	
Package Size		943*563*396mm	943*563*396mm	
Battery Pack N.W./G.W.		117kg/130kg	125kg/147kg	
Master LED Indicator		5LED ( SOC : 20% ~ SOC100% ) , 3LED ( working, alarming, protecting )		
Bluetooth		Include		
Communication Port		CAN/RS232/RS485		
IP Rating of Enclosure		IP20		
Operating Temperature		Charge : 0°C~55°C, Discharge : -20°C ~ 60°C		
Storage Temperature		-10 ~ 40°C		
Relative Humidity		95%		
Altitude		≤2000 m		
Cycle Life		≥6000 90%DOD		
Warranty Period		10Years		
Installation	Floor-Mounted( Movable with wheels)			
Certification	CE,UN38.3,MSDS			

# Battery Overview



1	Display Screen	2	Screen Button	3	Power Switch
4	Negative Connector	5	Reset Button	6	ON/OFF/RUN/ALM
7	DIP	8	SOC LED	9	DRY CONTACT
10	CAN/RS485 Port	11	Breaker	12	RS232 Port
13	IN/OUT Port For Parallel	14	Grounding	15	Positive Connector

## Battery Pack Default Accessories

	<b>DC Power Cable:</b> Pair of 35mm <sup>2</sup> DC power cable(end is M10 copper terminal). The default length is 1500mm
	<b>Ground Cable:</b> 6mm <sup>2</sup> Yellow-green ground line, The default length is 1500mm
	<b>RJ45 communication cable:</b> One RJ45 communication cable connect with hybrid inverter. The default length is 1500mm

## Easy Expansion

